

Gasket Dimensions

According to DIN EN and ASME normatives

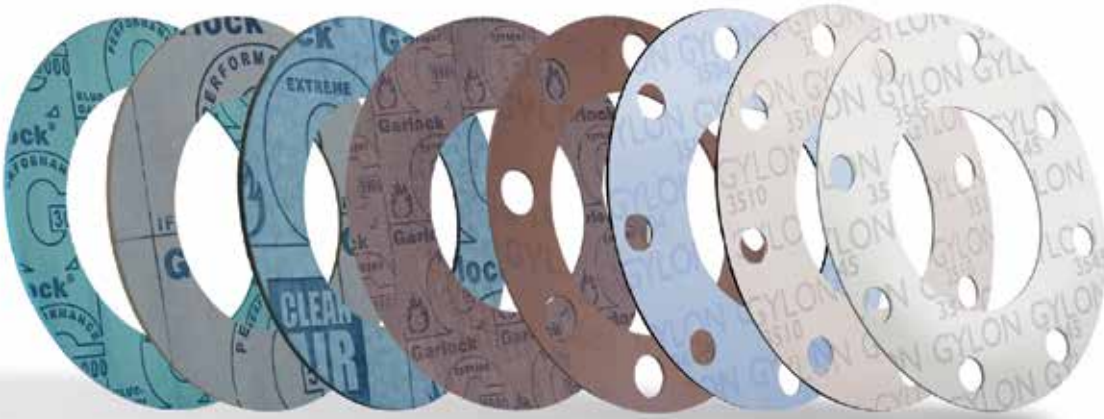


Table of Contents

Company Profile: Leaders in Sealing Integrity	3
General Information	4
Gaskets Form IBC	
According to EN 1514-1 Form IBC	5
According to ASME B 16.21 for flanges ASME/ANSI B 16.5	6
According to ASME B 16.21 for flanges ASME B 16.47 Series A	6
According to ASME B 16.21 for flanges ASME B 16.47 Series B	6
Gaskets Form FF	
According to EN 1514-1 Form FF	7
According to ASME B 16.21 for flanges ASME/ANSI B 16.5	8
According to ASME B 16.21 for flanges ASME B 16.47 Series A	9
According to ASME B 16.21 for flanges ASME B 16.47 Series B	9
Spiral Wound Gaskets	10
According to EN 1514-2	11
According to ASME 16.20	12
According to ASME 16.20 Series A	14
According to ASME 16.20 Series B	17
Kammprofil Gaskets	18
According to EN 1514-6	19
According to ASME B 16.5	20
According to ASME B 16.47 Series A	21
According to ASME B 16.47 Series B	22
Tongue and Groove Gaskets	
According to EN 1514-1 Form TG	23
According to ASME B 16.5	23

With locations throughout the globe, we are always close to you

Garlock is acknowledged as the global leader in high-performance fluid sealing products, committed to a culture of safety by making the world safer, sustainable and more reliable.



Garlock, part of EnPro Industries Inc., is one of the leading companies in the field of high performance sealing technology and is considered to be a specialist for sealing critical, demanding media in innovative machine, engineering and construction and in the process industry. With an integrated spectrum of services, Garlock supports a wide variety of industries. Garlock offers the best possible individualized technical consultancy and industry specific engineering competence in designing, producing, supplying and commissioning its sealing products. The main goal is always to ensure failsafe, sustainable and environmentally compatible machine and plant operation. The product portfolio covers cut gaskets made of modified PTFE and fiber materials, shaft seals, bearing isolators, diaphragms, metallic gaskets, compression packing, hydraulic seals, graphite seals and valves. As well as standard seals, Garlock primarily develops and produces special solutions for customer specific applications. These seals are used in such industries as machine and plant engineering and construction, pharma and food, conventional and alternative power generation, steel and aluminum, paper, mining, marine and oil and gas. Garlock also has its own research and development facilities which can also be called upon for in-depth examinations and analyses within the scope of customer support. Roughly 1500 employees work for the company at 22 locations. Garlock is represented in more than 90 other countries through distribution partners and specialist dealers.

Milestones

- » 1887 Olin J. Garlock founds Garlock
- » 1923 CHEVRON®-Set for locomotive steam cylinders and piston introduced
- » 1928 KLOZURE®, the first ever synthetic rubber shaft seal is introduced
- » 1967 The GYLON® family is introduced
- » 1979 BLUE-GARD® is introduced, the world's first asbestos-free fiber flat seal
- » 2007 GYLON BIO-PRO® is introduced
- » 2011 Introduction of the labyrinth SGI™
- » 2012 Centralization of the global production of GAR-SEAL valves at the facility in Neuss, Germany
- » 2016 Introduction of GYLON BIO-PRO® PLUS
- » 2017 Introduction of PS-SEAL® with GYLON® STYLE 3549
- » 2018 Introduction of GYLON® EPIX

Facts & Figures

- » Industry: Sealing technology
- » Products: Seals for static and dynamic applications and valves, such as shaft seals, labyrinth seals, stuffing box packaging, cut gaskets, graphite seals and valve
- » Market position: Leader for sealing solutions for critical and complex machine and plant construction as well as in the process industry
- » Employees: 1500 worldwide

Gasket Dimensions

General Information

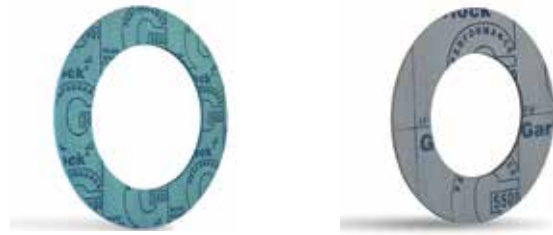
This catalogue was created to identify gasket dimensions according to DIN EN and ASME normatives.

A general distinction can be made between two sealing geometries:

1. IBC form

(IBC = Inner Bolt Circle, round seal without screw holes)

The centering of the seal is accomplished by the outer diameter of the gasket in combination with the nominal screw diameter, keeping the gasket (ring) in place. Please note that a higher surface pressure can be applied to the seal by using IBC form using the same bolt-torque values. Since the surface pressure has a decisive influence on the sealing-class, an IBC seal is generally the more advantageous option.



IBC form

2. FF form

(FF = Full Face, round seal with screw holes)

The centering is accomplished by aligning the gasket with the flange and the screw holes of the seal. A FF form always involves a larger area of the seal. Thus the surface pressure of the FF seal always is lower with the same bolt-load than with an IBC seal.



FF form

Ordering Information

When ordering, specify:

- » Nominal pipe size / Nominal diameter or specific gasket dimensions
- » Pressure rating
- » Thickness of gasket

All abbreviations employed are explained in the table below:

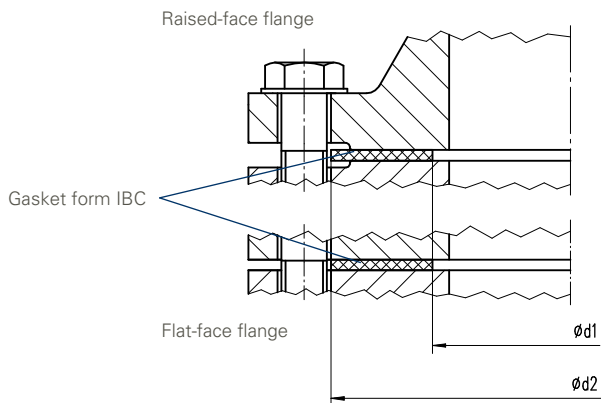
Symbol	Value
d1 [mm]	» Inner diameter
D [mm]	» Outer diameter
d2 [mm]	» Hole diameter
K [mm]	» Bolt circle
DN	» Nominal diameter
NPS	» Nominal Pipe Size

Gaskets Form IBC

Raised-face and flat-face flanges

Ordering example for an IBC gasket according to EN 1514-1:

Gasket IBC, GYLON® Style 3501-E, DN 80, PN 16, EN 1514-1



According to EN 1514-1 Form IBC

DN	d1	d2					
		PN					
		2,5	6	10	16	25	40
10	18	39		46			
15	22	44		51			
20	27	54		61			
25	34	64		71			
32	43	76		82			
40	49	86		92			
50	61	96		107			
60	72	106		117			
65	77	116		127			
80	89	132		142			
100	115	152		162	162	168	168
125	141	182		192	192	194	194
150	169	207		218	218	224	224
200	220	262		273	273	284	290
250	273	317		328	329	340	352
300	324	373		378	384	400	417
350	356	423		438	444	457	474
400	407	473		489	495	514	546
450	458	528		539	555	564	571
500	508	578		594	617	624	628
600	610	679		695	734	731	747
700	712	784		810	804	833	-
800	813	890		917	911	942	-
900	915	990		1017	1011	1042	-
1000	1016	1090		1124	1128	1154	-
1100	1120	-	-	1231	1228	1254	-
1200	1220	1290	1307	1341	1342	1364	-
1400	1420	1490	1524	1548	1542	1578	-
1500	1520	-	-	1658	1654	1688	-
1600	1620	1700	1724	1772	1764	1798	-
1800	1820	1900	1931	1972	1964	2000	-
2000	2020	2100	2138	2182	2168	2230	-
2200	2220	2307	2348	2384	-	-	-
2400	2420	2507	2558	2594	-	-	-
2600	2620	2707	2762	2794	-	-	-
2800	2820	2924	2972	3014	-	-	-
3000	3020	3124	3172	3228	-	-	-
3200	3220	3324	3382	-	-	-	-
3400	3420	3524	3592	-	-	-	-
3600	3620	3734	3804	-	-	-	-
3800	3820	3931	-	-	-	-	-
4000	4020	4131	-	-	-	-	-

According to EN 1514-1 Form IBC

DN	d1	PN
		d2
		63
10	18	56
15	21	61
20	25	72
25	30	82
32	41	88
40	47	103
50	59	113
60	68	123
65	73	138
80	86	148
100	110	174
125	135	210
150	163	247
175	185	277
200	210	309
250	264	364
300	314	424
350	360	486
400	415	543

All dimensions in mm

"-" Flanges not available according to normative

All dimensions in mm

Gaskets Form IBC

Raised-face and flat-face flanges

Ordering example for an IBC gasket according to EN 1514-1:

Gasket IBC, GYLON® Style 3501-E, NPS 8", Class 150, ASME B 16.21

According to ASME B 16.21 for flanges ASME/ANSI B 16.5

NPS	d1	d2				
		Class				
		150	300	400	600	900
0,5	21	48		54		64
0,75	27	57		67		70
1	33	67		73		79
1,25	42	76		83		89
1,5	49	86		95		99
2	60	105		111		143
2,5	73	124		130		165
3	89	137		149		168
3,5	102	162	165	162	162	-
4	114	175	181	178	194	206
5	141	197	216	213	241	248
6	168	222	251	248	267	289
8	219	279	308	305	321	359
10	279	340	362	359	400	435
12	324	410	422	419	457	498
14	356	451	486	483	492	521
16	406	514	540	536	565	575
18	457	549	597	594	613	638
20	508	607	654	648	683	699
24	610	718	775	768	790	838

"-" Flanges not available according to normative

All dimensions in mm

According to ASME B 16.21 for flanges ASME B16.47 Series A

NPS	d1	d2			
		Class			
		150	300	400	600
26	660	775	835	832	867
28	711	832	899	892	914
30	762	883	953	946	972
32	813	940	1006	1003	1022
34	864	991	1057	1054	1073
36	914	1048	1118	1118	1130
38	965	1111	1054	1073	1105
40	1016	1162	1115	1132	1156
42	1067	1219	1165	1178	1219
44	1118	1276	1219	1232	1270
46	1168	1326	1273	1289	1327
48	1219	1384	1324	1346	1391
50	1270	1435	1378	1403	1448
52	1321	1492	1429	1454	1499
54	1372	1549	1492	1518	1556
56	1422	1607	1543	1568	1613
58	1473	1664	1594	1619	1664
60	1524	1715	1645	1683	1721

All dimensions in mm

According to ASME B 16.21 for flanges ASME B16.47 Series B

NPS	d1	d2				
		Class				
		75	150	300	400	600
26	660	708	725	772	746	765
28	711	759	776	826	800	819
30	762	810	827	886	857	879
32	813	861	881	940	911	933
34	864	911	935	994	962	997
36	914	973	988	1048	1022	1048
38	965	1024	1044	1099	-	-
40	1016	1075	1095	1149	-	-
42	1067	1125	1146	1200	-	-
44	1118	1181	1197	1251	-	-
46	1168	1232	1256	1318	-	-
48	1219	1283	1307	1369	-	-
50	1270	1334	1357	1419	-	-
52	1321	1387	1408	1470	-	-
54	1372	1438	1464	1556	-	-
56	1422	1496	1514	1594	-	-
58	1473	1546	1580	1656	-	-
60	1524	1597	1630	1705	-	-

"-" Flanges not available according to normative

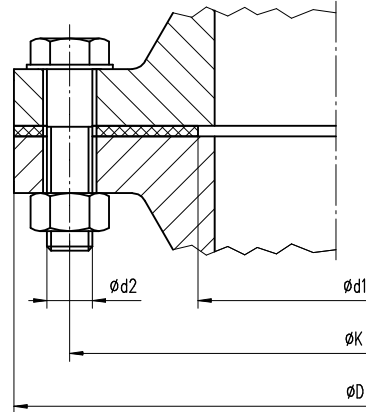
All dimensions in mm

Gaskets Form FF

With bolt holes for flat-face flanges

**Ordering example for a
FF gasket according to EN 1514-1:**

Gasket FF, GYLON® Style 3501-E, DN 80, PN 16, EN 1514-1



According to EN 1514-1 Form FF

DN	d1	PN 10				PN 16				PN 25				PN 40			
		D	K	d2	No. of bolts	D	K	d2	No. of bolts	D	K	d2	No. of bolts	D	K	d2	No. of bolts
10	18	See PN 40												90	60	14	4
15	22													95	65	14	4
20	27													105	75	14	4
25	34													115	85	14	4
32	43	See PN 40												140	100	18	4
40	49													150	110	18	4
50	61													165	125	18	4
60	72													175	135	18	8
65	77													185	145	18	8
80	89													200	160	18	8
100	115	220	180	18	8	220	180	22	8	See PN 40				235	190	22	8
125	141	250	210	18	8	250	210	26	8					270	220	26	8
150	169	285	240	22	8	285	240	26	8					300	250	26	8
200	220	340	295	22	8	340	295	26	12	360	310	26	12	375	320	30	12
250	273	395	350	22	12	405	355	30	12	425	370	30	12	450	385	33	12
300	324	445	400	22	12	460	410	30	16	485	430	30	16	515	450	33	16
350	356	505	460	22	16	520	470	33	16	555	490	33	16	580	510	36	16
400	407	565	515	26	16	580	525	36	16	620	550	36	16	660	585	39	16
450	458	615	565	26	20	640	585	36	20	670	600	36	20	685	610	39	20
500	508	670	620	26	20	715	650	36	20	730	660	36	20	755	670	42	20
600	610	780	725	30	20	840	770	39	20	845	770	39	20	890	795	48	20
700	712	895	840	30	24	910	840	42	24	960	875	42	24	-	-	-	-
800	813	1015	950	33	24	1025	950	48	24	1085	990	48	24	-	-	-	-
900	915	1115	1050	33	28	1125	1050	48	28	1185	1090	48	28	-	-	-	-
1000	1016	1230	1160	36	28	1255	1170	56	28	1320	1210	56	28	-	-	-	-
1100	1120	1340	1270	39	32	1355	1270	56	32	1420	1310	56	32	-	-	-	-
1200	1220	1455	1380	39	32	1485	1390	56	32	1530	1420	56	32	-	-	-	-
1400	1420	1675	1590	42	36	1685	1590	62	36	1755	1640	62	36	-	-	-	-
1500	1520	1785	1700	42	36	1820	1710	62	36	1865	1750	62	36	-	-	-	-
1600	1620	1915	1820	48	40	1930	1820	62	40	1975	1860	62	40	-	-	-	-
1800	1820	2115	2020	48	44	2130	2020	70	44	2195	2070	70	44	-	-	-	-
2000	2020	2325	2230	48	48	2345	2230	70	48	2425	2300	70	48	-	-	-	-

“-“Flanges not available according to normative

All dimensions in mm

Gaskets Form FF

With bolt holes for flat-face flanges

**Ordering example for a
FF gasket according to ASME B 16.21:**

Gasket FF, GYLON® Style 3501-E, NPS 8", PN 16, ASME B 16.21

According to ASME B 16.21 for flanges ASME/ANSI B16.5

NPS	d1	Class 150				Class 300			
		D	K	d2	No. of bolts	D	K	d2	No. of bolts
0,5	21	89	60	16	4	95	67	16	4
0,75	27	99	70	16	4	117	83	19	4
1	33	108	79	16	4	124	89	19	4
1,25	42	117	89	16	4	133	99	19	4
1,5	49	127	99	16	4	155	114	22	4
2	60	152	121	19	4	165	127	19	8
2,5	73	178	140	19	4	191	149	22	8
3	89	191	152	19	4	210	168	22	8
3,5	102	216	178	19	8	229	184	22	8
4	114	229	191	19	8	254	200	22	8
5	141	254	216	22	8	279	235	22	8
6	168	279	241	22	8	318	270	22	12
8	219	343	298	22	8	381	330	25	12
10	273	406	362	25	12	-	-	-	-
12	324	483	432	25	12	-	-	-	-
14	356	533	476	28	12	-	-	-	-
16	406	597	540	28	16	-	-	-	-
18	457	635	578	32	16	-	-	-	-
20	508	699	635	32	20	-	-	-	-
24	610	813	749	35	20	-	-	-	-

"-" Flanges not available according to normative

All dimensions in mm

Gaskets Form FF

With bolt holes for flat-face flanges

**Ordering example for a
FF gasket according to ASME B 16.21:**

Gasket FF, GYLON® Style 3501-E, NPS 8", PN 16, ASME B 16.21

According to ASME B 16.21 for flanges ASME B16.47 Series A

NPS	d1	Class 150				Class 300			
		D	K	d2	No. of bolts	D	K	d2	No. of bolts
26	660	870	806	35	36	972	876	44	32
28	711	927	864	35	40	1035	940	44	36
30	762	984	914	35	44	1092	997	48	36
32	813	1060	978	41	48	1149	1054	51	32
34	864	1111	1029	41	40	1207	1105	51	36
36	914	1168	1086	41	44	1270	1168	54	32
38	965	1238	1149	41	40	1168	1092	41	36
40	1016	1289	1200	41	44	1238	1156	44	40
42	1067	1346	1257	41	48	1289	1207	44	36
44	1118	1403	1314	41	52	1353	1264	48	40
46	1168	1454	1365	41	40	1416	1321	51	36
48	1219	1511	1422	41	44	1467	1372	51	40
50	1270	1568	1480	48	48	1530	1429	54	44
52	1321	1626	1537	48	52	1581	1480	54	48
54	1372	1683	1594	48	56	1657	1549	60	48
56	1422	1746	1651	48	60	1708	1600	60	36
58	1473	1803	1708	48	48	1759	1651	60	40
60	1524	1854	1759	48	52	1810	1702	60	40

All dimensions in mm

According to ASME B 16.21 for flanges ASME B16.47 Series B

NPS	d1	Class 150				Class 300			
		D	K	d2	No. of bolts	D	K	d2	No. of bolts
26	660	786	744	22	36	867	803	35	32
28	711	837	795	22	40	921	857	35	36
30	762	887	846	22	44	991	921	38	36
32	813	941	900	22	48	1054	978	41	32
34	864	1005	957	25	40	1108	1032	41	36
36	914	1057	1010	25	44	1171	1089	44	32
38	965	1124	1070	28	40	1222	1140	44	36
40	1016	1175	1121	28	44	1273	1191	44	40
42	1067	1226	1171	28	48	1334	1245	48	36
44	1118	1276	1222	28	52	1384	1295	48	40
46	1168	1341	1284	32	40	1461	1365	51	36
48	1219	1392	1335	32	44	1511	1416	51	40
50	1270	1443	1386	32	48	1562	1467	51	44
52	1321	1494	1437	32	52	1613	1518	51	48
54	1372	1549	1492	32	56	1673	1578	51	48
56	1422	1600	1543	32	60	1765	1651	60	36
58	1473	1675	1611	35	48	1827	1713	60	40
60	1524	1726	1662	35	52	1878	1764	60	40

All dimensions in mm

Spiral Wound Gaskets

Raised-face and flat-face flanges

Style RWI

- » Suitable for flat face and raised face flanges
- » Inner ring acts as compression limiter and protects sealing elements from process media attack**
- » Centering ring accurately locates the gasket on the flange face, provides additional radial strength, and acts as a compression limiter

Style RW

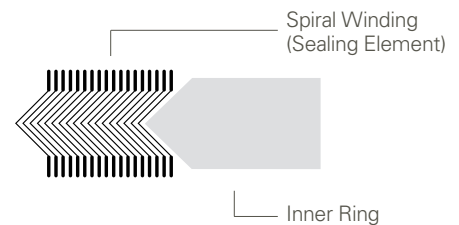
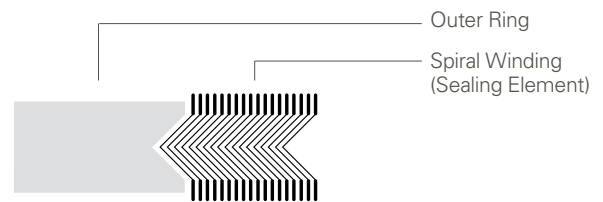
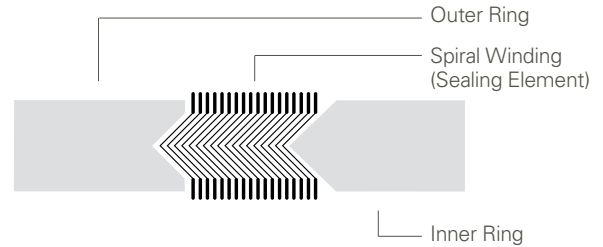
- » General purpose gasket suitable for flat face and raised face
- » Centering ring accurately locates the gasket on the flange face, provides additional radial strength, and acts as a compression limiter
- » Spiral winding (sealing element) consists of preformed metal and soft filler material

Style SW

- » Suitable for tongue and groove, male-female, or groove-to-flat face flanges***
- » Spiral winding only, containing preformed metal and soft filler material

Style SWI

- » Suitable for tongue and groove, male-female, or groove-to-flat face flanges***
- » Inner ring acts as compression limiter and protects sealing elements from process media attack**



Ordering Information

When ordering, specify:

- » Nominal pipe size or specific gasket dimensions
- » Pressure rating
- » Thickness of gasket
- » Winding and filler material
- » Inner / Outer ring material

Material and application information*	
Material of filler	Graphite, PTFE, THERMaPUR™
Material of the winding/ inner and outer ring	Carbon steel, Stainless steel, upon request
Maximum temperature	455 °C, max. 510 °C / PTFE 260 °C
Maximum pressure	400 bar

Notes

- * Consult Garlock Engineering for material recommendations above 450°C (850° F).
- ** Depending on gasket size, an inner ring is recommended for applications above Class 600, due to the high available bolt load.
- *** This design does not have a compression limiter.

This product is not available in Europe.

Spiral Wound Gaskets

Raised-face and flat-face flanges

Ordering example for a Spiral Wound gasket according to EN 1514-2:

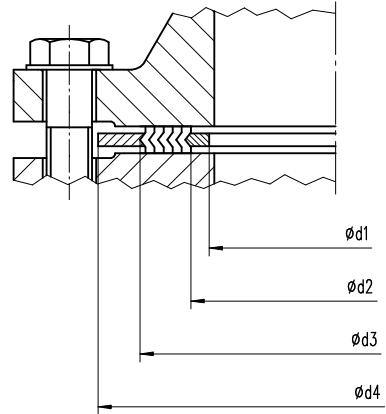
FLEXSEAL® Style RWI, DN 80, PN 16, EN 1514-2

Material of inner ring: SS 316L

Material of spiral wound: SS 316L

Material of filler: Flexible graphite

Material of outer ring: Carbon steel (CS)



According to EN 1514-2

DN	d1		d2		d3		d4				
	PN 10-160	PN 10-160	PN 10-40	PN 63-160	PN 10	PN 16	PN 25	PN 40	PN 63	PN 100	PN 160
10	18	24	34				46		56		
15	23	29	39				51		61		
20	28	34	46	-			61		-		
25	35	41	53				71		82		
32	43	49	61	-			82		-		
40	50	56	68				92		103		
50	61	70	86				107		113	119	
65	77	86	102	106			127		137	143	
80	90	99	115	119			142		148	154	
100	115	127	143	147	162	168		174	180		
125	140	152	172	176	192	194		210	217		
150	167	179	199	203	218	224		247	257		
200	216	228	248	252	273		284	290	309	324	
250	267	279	303	307	327	329	340	352	364	391	388
300	318	330	354	358	377	384	400	417	424	458	458
350	360	376	400	404	437	444	457	474	486	512	-
400	410	422	450	456	488	495	514	546	543	572	-
500	510	522	550	556	593	617	624	628	657	704	-
600	610	622	650	656	695	734	731	747	764	813	-
700	710	722	756	762	810	804	833	852	879	950	-
800	810	830	864	870	917	911	942	974	988	-	-
900	910	930	964	970	1017	1011	1042	1084	1108	-	-
1000	1010	1030	1074	1080	1124	1128	1154	1194	-	-	-

"-" Flanges not available according to normative

All dimensions in mm

This product is not available in Europe.

Spiral Wound Gaskets

Raised-face and flat-face flanges

Ordering example for a Spiral Wound gasket according to ASME 16.20:

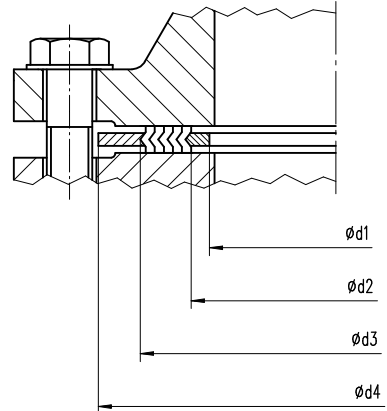
FLEXSEAL® Style RWI, NPS 8", Class 150, ASME 16.20

Material of inner ring: SS 316L

Material of spiral wound: SS 316L

Material of filler: Flexible graphite

Material of outer ring: Carbon steel (CS)



According to ASME 16.20

NPS	d1						d2					
	Class						Class					
	150 - 300	400	600	900	1500	2500	150 - 300	400	600	900	1500	2500
0,5	14,2	-	14,2	-	14,2		19,1	-	19,1	-	19,1	
0,75	20,6	-	20,6	-	20,6		25,4	-	25,4	-	25,4	
1	26,9	-	26,9	-	26,9		31,8	-	31,8	-	31,8	
1,25	38,1	-	38,1	-	33,3		47,8	-	47,8	-	39,6	
1,5	44,5	-	44,5	-	41,4		54,1	-	54,1	-	47,8	
2	55,6	-	55,6	-	52,3		69,9	-	69,9	-	58,7	
2,5	66,5	-	66,5	-	63,5		82,6	-	82,6	-	69,9	
3	81,0	-	81,0	78,7	78,7		101,6	-	101,6	95,3	92,2	
4	106,4	102,6		97,8		127,0	120,7		117,6			
5	131,8	128,3		124,5		155,7	147,6		143,0			
6	157,2	154,9		147,3		182,6	174,8		171,5			
8	215,9	205,7		196,9	196,9		233,4	225,6		222,3	215,9	
10	268,2	255,3		246,1	246,1		287,3	274,6		276,4	266,7	270,0
12	317,5	307,3		292,1	292,1		339,9	327,2		323,9	323,9	317,5
14	349,3	342,9		320,8	320,8	-	371,6	362,0		355,6	362,0	-
16	400,1	389,9		374,7	368,3	-	422,4	412,8		412,8	406,4	-
18	449,3	438,2		425,5	425,5	-	474,7	469,9		463,6	463,6	-
20	500,1	489,0		482,6	476,3	-	525,5	520,7		520,7	514,4	-
24	603,3	590,6		577,9		-	628,7		616,0		-	

"-" Flanges not available according to normative

All dimensions in mm

This product is not available in Europe.

Garlock Gasket Dimensions: According to DIN EN and ASME normatives

NPS	d3		d4						
	Class		Class						
	150 - 600	900 - 2500	150	300	400	600	900	1500	2500
0,5	31,8		47,8	54,1	-	54,1	-	63,5	69,9
0,75	39,6		57,2	66,8	-	66,8	-	69,9	76,2
1	47,8		66,8	73,2	-	73,2	-	79,5	85,9
1,25	60,5		76,2	82,6	-	82,6	-	88,9	104,9
1,5	69,9		85,9	95,3	-	95,3	-	98,6	117,6
2	85,9		104,9	111,3	-	111,3	-	143,0	146,1
2,5	98,6		124	130,3	-	130,3	-	165,1	168,4
3	120,7		136,7	149,4	-	149,4	168,4	174,8	196,9
4	149,4		174,8	181,1	177,8	193,8	206,5	209,6	235,0
5	177,8		196,9	215,9	212,9	241,3	247,7	254,0	279,4
6	209,6		222,3	251,0	247,7	266,7	289,1	282,7	317,5
8	263,7	257,3	279,4	308,1	304,8	320,8	358,9	352,6	387,4
10	317,5	311,2	339,9	362,0	358,9	400,1	435,1	435,1	476,3
12	374,7	368,3	409,7	422,4	419,1	457,2	498,6	520,7	549,4
14	406,4	400,1	450,9	485,9	482,6	492,3	520,7	577,9	-
16	463,6	457,2	514,4	539,8	536,7	565,2	574,8	641,4	-
18	527,1	520,7	549,4	596,9	593,9	612,9	638,3	704,9	-
20	577,9	571,5	606,6	654,1	647,7	682,8	698,5	755,7	-
24	685,8	679,5	717,6	774,7	768,4	790,7	838,2	901,7	-

“-“Flanges not available according to normative

All dimensions in mm

This product is not available in Europe.

Spiral Wound Gaskets

Raised-face and flat-face flanges

Ordering example for a Spiral Wound gasket according to ASME 16.20:

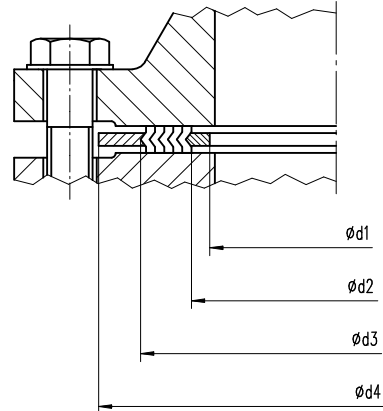
FLEXSEAL® Style RWI, NPS 32", Class 150, ASME 16.20 Series A

Material of inner ring: SS 316L

Material of spiral wound: SS 316L

Material of filler: Flexible graphite

Material of outer ring: Carbon steel (CS)



According to ASME 16.20 Series A

NPS	d1					d2				
	Class					Class				
	150	300	400	600	900	150	300	400	600	900
26	654,1		660,4	647,7	660,4	673,1	685,8			
28	704,9		711,2	698,5	711,2	723,9	736,6			
30	755,7				768,4	774,7	793,8			
32	806,5		812,8			825,5	850,9			
34	857,3		863,6			876,3	901,7			
36	908,1		917,7		920,8	927,1	955,8			958,9
38	958,9	952,5			1009,7	977,9	977,9	971,6	990,6	1035,1
40	1009,7	1003,3	1000,3	1009,7	1060,5	1028,7	1022,4	1025,7	1047,8	1098,6
42	1060,5	1054,1	1051,1	1066,8	1111,3	1079,5	1073,2	1076,5	1104,9	1149,4
44	1111,3	1104,9	1104,9	1111,3	1155,7	1130,3	1130,3	1130,3	1162,1	1206,5
46	1162,1	1152,7	1168,4	1162,1	1219,2	1181,1	1178,1	1193,8	1212,9	1270,0
48	1212,9	1209,8	1206,5	1219,2	1270,0	1237,9	1235,2	1244,6	1270,0	1320,8
50	1263,7	1244,6	1257,3	1270,0	-	1282,7	1295,4	1295,4	1320,8	-
52	1314,5	1320,8	1308,1	1320,8	-	1335,5	1346,2	1346,2	1371,6	-
54	1358,9	1352,6	1352,6	1378,0	-	1384,3	1403,4	1403,3	1428,8	-
56	1409,7	1403,4	1403,4	1428,8	-	1435,1	1454,2	1454,2	1479,6	-
58	1460,5	1447,8	1454,2	1473,2	-	1485,9	1511,3	1505,0	1536,7	-
60	1511,3	1524,0	1517,7	1530,4	-	1536,7	1562,1	1568,5	1593,9	-

“-“Flanges not available according to normative

All dimensions in mm

This product is not available in Europe.

Garlock Gasket Dimensions: According to DIN EN and ASME normatives

NPS	d3					d4				
	Class					Class				
	150	300	400	600	900	150	300	400	600	900
26	704,9	736,6				774,7	835,2	831,9	886,9	882,0
28	755,7	787,4				831,9	898,7	892,3	914,4	946,2
30	806,5	844,6				882,7	952,5	946,2	971,6	1009,7
32	560,6	901,7				939,8	1006,6	1003,3	1022,4	1073,3
34	911,4	952,5				990,6	1057,4	1054,1	1073,2	1367,7
36	968,5	1006,6			1009,7	1047,8	1117,6	1117,6	1130,3	1200,2
38	1019,3	1016,0	1022,4	1041,4	1085,9	1111,3	1054,1	1073,2	1104,9	1200,2
40	1070,1	1070,1	1076,5	1098,6	1149,4	1162,1	1114,6	1127,3	1155,7	1251,0
42	1124,0	1120,9	1127,3	1155,7	1200,2	1219,2	1165,4	1178,1	1219,2	1301,8
44	1178,1	1181,1	1181,1	1212,9	1257,3	1276,4	1219,2	1231,9	1270,0	1368,6
46	1228,9	1228,9	1244,6	1263,7	1320,8	1327,2	1273,3	1289,1	1327,0	1435,1
48	1279,7	1286,0	1295,4	1320,8	1371,6	1384,3	1324,1	1346,2	1390,7	1485,9
50	1333,5	1346,2	1346,2	1371,6	-	1435,1	1378,0	1403,4	1447,8	-
52	1384,3	1397,0	1397,0	1422,4	-	1492,3	1428,8	1454,2	1498,6	-
54	1435,1	1454,2	1454,2	1479,6	-	1549,4	1492,3	1517,7	1555,8	-
56	1485,9	1505,0	1505,0	1530,4	-	1606,6	1543,1	1568,5	1612,9	-
58	1536,7	1562,1	1555,8	1587,5	-	1663,7	1593,9	1619,3	1663,7	-
60	1587,5	1612,9	1619,3	1644,7	-	1714,5	1644,7	1682,8	1733,6	-

“-“Flanges not available according to normative

All dimensions in mm

This product is not available in Europe.

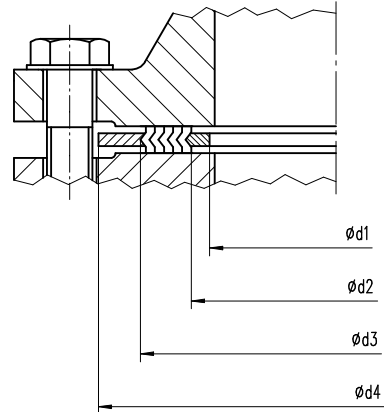
Spiral Wound Gaskets

Raised-face and flat-face flanges

Ordering example for a Spiral Wound gasket according to ASME 16.20:

FLEXSEAL® Style RWI, NPS 32", Class 150, ASME 16.20 Series B

- Material of inner ring: SS 316L
- Material of spiral wound: SS 316L
- Material of filler: Flexible graphite
- Material of outer ring: Carbon steel (CS)



According to ASME 16.20 Series B

NPS	d1					d2				
	Class					Class				
	150	300	400	600	900	150	300	400	600	900
26	654,1			644,7	666,8	673,1		666,8	663,7	692,2
28	704,9		701,8	685,8	717,6	723,9		714,5	704,9	743,0
30	755,7		752,6	752,6	781,1	774,7		765,3	778,0	806,5
32	806,5		800,1	793,8	838,2	825,5		812,8	831,9	863,6
34	857,3		850,9	850,9	895,4	876,3		866,9	889,0	920,8
36	908,1		898,7	901,7	920,8	927,1		917,7	939,8	946,2
38	958,9	971,6	952,5	952,5	1009,7	974,9	1009,7	971,6	990,6	1035,1
40	1009,7	1022,4	1000,3	1009,7	1060,5	1022,4	1060,5	1025,7	1047,8	1098,6
42	1060,5	1085,9	1051,1	1066,8	1111,3	1079,5	1111,3	1076,5	1104,9	1149,4
44	1111,3	1124,0	1104,9	1111,3	1155,7	1124,0	1162,1	1130,3	1162,1	1206,5
46	1162,1	1178,1	1168,4	1162,1	1219,2	1181,1	1216,2	1193,8	1212,9	1270,0
48	1212,9	1231,9	1206,5	1219,2	1270,0	1231,9	1263,7	1244,6	1270,0	1320,8
50	1263,7	1267,0	1257,3	1270,0	-	1282,7	1317,8	1295,4	1320,8	-
52	1314,5	1317,8	1308,1	1320,8	-	1333,5	1368,6	1346,2	1371,6	-
54	1365,3	1365,3	1352,6	1378,0	-	1384,3	1403,4	1403,3	1428,8	-
56	1422,4	1428,8	1428,8	1428,8	-	1444,8	1479,6	1454,2	1479,6	-
58	1478,0	1484,4	1484,4	1473,2	-	1500,1	1535,2	1505,0	1536,7	-
60	1353,2	1557,3	1557,3	1530,4	-	1557,3	1589,0	1568,5	1593,9	-

"-" Flanges not available according to normative

All dimensions in mm

This product is not available in Europe.

Garlock Gasket Dimensions: According to DIN EN and ASME normatives

NPS	d3					d4				
	Class					Class				
	150	300	400	600	900	150	300	400	600	900
26	698,5	711,2	698,5	714,5	749,3	725,4	771,7	746,3	765,3	838,2
28	749,3	762,0	749,3	755,7	800,1	776,2	825,5	800,1	819,2	901,7
30	800,1	812,8	806,5	828,8	857,3	827,0	886,0	857,3	879,6	958,9
32	850,9	863,6	860,6	882,7	914,4	881,1	939,8	911,4	933,5	1016,0
34	908,1	914,4	911,4	939,8	971,6	935,0	993,9	962,2	997,0	1073,2
36	958,9	965,2	965,2	990,6	997,0	987,6	1047,8	1022,4	1047,8	1124,0
38	1009,7	1047,8	1022,4	1041,4	1085,9	1044,7	1098,6	1073,2	1104,9	1200,2
40	1063,8	1098,6	1076,5	1098,6	1149,4	1095,5	1149,4	1127,3	1155,7	1251,0
42	1114,6	1149,4	1127,3	1155,7	1200,2	1146,3	1200,2	1178,1	1219,2	1301,8
44	1165,4	1200,2	1181,1	1212,9	1257,3	1197,1	1251,0	1231,9	1270,0	1368,6
46	1224,0	1254,3	1244,6	1263,7	1320,8	1255,8	1317,8	1289,1	1327,2	1435,1
48	1270,0	1311,4	1595,4	1320,8	1371,6	1306,6	1368,6	1346,2	1390,7	1485,9
50	1325,6	1355,9	1346,2	1371,6	-	1357,4	1419,4	1403,4	1447,8	-
52	1376,4	1406,7	1397,0	1422,4	-	1408,2	1470,2	1454,2	1498,6	-
54	1422,4	1454,2	1454,2	1479,6	-	1463,8	1530,4	1517,7	1555,8	-
56	1478,0	1524,0	1505,0	1530,4	-	1514,6	1593,9	1568,5	1612,9	-
58	1528,8	1573,3	1555,8	1587,5	-	1579,6	1655,8	1619,3	1663,7	-
60	1586,0	1630,4	1619,3	1644,7	-	1630,4	1706,6	1682,8	1733,6	-

“-“Flanges not available according to normative

All dimensions in mm

This product is not available in Europe.

Kammprofil Gasketes

Raised-face and flat-face flanges

Style 642 A

- » For flanges with tongue and groove (TG)
- » The seal does not contain an centering ring and is dimensioned to be placed in a groove



Style 642 AR

- » For Raised Face flanges with a sealing strip (RF) or flat sealing surface (FF)
- » The seal contains an integral centering ring, which is manufactured in one piece along with the core body it is supported by the screw and prevents any unwanted shifting during installation



Style 642 AR2

- » For Raised Face flanges with a sealing strip (RF) or flat sealing surface (FF)
- » The seal contains a floating centering ring, which is closed around the core retroactively by means of adhesive spots but still remains flexible along the core. This style may be necessary for large diameters in the case of high temperature differences between the inner and outer regions of the seal



Style 642 AC, 642 ARC, 642 ARC2

- » Also available in convex root core
- » For frequently changing temperature and pressure application



Ordering Information

When ordering, specify:

- » Nominal pipe size or specific gasket dimensions
- » Pressure rating
- » Thickness of gasket
- » Material of filler
- » Material of carrier
- » Material of centering ring

Material and applicaton information*	
Material of filler	Graphite, PTFE, THERMaPUR™
Material of the carrier/ centering ring	Stainless steel, upon request
Maximum temperature	455 °C, max. 510 °C / PTFE 260 °C
Maximum pressure	400 bar

Notes

- * Consult Garlock Engineering for material recommendations above 450°C (850° F).

This product is not available in Europe.

Kammprofil Gasketes

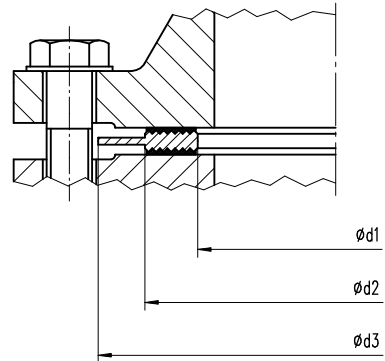
Raised-face and flat-face flanges

Ordering example for a Kammprofil gasket according to EN 1514-6:

Kammprofil Style 642 AR, DN 80, PN 16, EN 1514-6

Carrier material: SS 316L

Material of sealing area: Flexible graphite



According to EN 1514-6

DN	d1	d2			d3										
		PN			PN										
		Oct-40	64/160	250/400	10	16	25	40	64	100	160	250	320	400	
10	22	36			46				56			67			
15	26	42			51				61			72			
20	31	47			61				-	-	-	-	-	-	
25	36	52			71				82			83		92	104
32	46	62	66	82				-	-	-	-	-	-	-	
40	53	69	73	92				103			109	119	135		
50	65	81	87	107				113	119	124	134	150			
65	81	100	103	127				137	143	153	170	192			
80	95	115	121	142				148	154	170	190	207			
100	118	138	146	162	168		174	180	202	229	256				
125	142	162	178	192	194		210	217	242	274	301				
150	170	190	212	217	224		247	257	284	311	348				
175	195	215	245	247	254	265	277	287	284	316	358	402			
200	220	240	248	280	272	284	290	309	324	324	358	398	442		
250	270	290	300	340	327	328	340	352	364	391	388	442	488	-	
300	320	340	356	400	377	383	400	417	424	458	458	536	-	-	
350	375	395	415	-	437	443	457	474	486	512	-	-	-	-	
400	426	450	474	-	489	495	514	546	543	572	-	-	-	-	
450	480	506	-	-	539	555	-	571	-	-	-	-	-	-	
500	530	560	588	-	594	617	624	628	657	704	-	-	-	-	
600	630	664	700	-	695	734	731	747	764	813	-	-	-	-	
700	730	770	812	-	810	804	833	852	879	-	-	-	-	-	
800	830	876	886	-	917	911	942	974	988	-	-	-	-	-	
900	930	982	994	-	1017	1011	1042	1084	1108	-	-	-	-	-	
1000	1040	1098	1110	-	1124	1128	1154	1194	1220	-	-	-	-	-	
1200	1250	1320	1334	-	1341	1342	1364	1398	1452	-	-	-	-	-	
1400	1440	1522	-	-	1548	1542	1578	1618	-	-	-	-	-	-	
1600	1650	1742	-	-	1772	1764	1798	1830	-	-	-	-	-	-	
1800	1850	1914	-	-	1972	1964	2000	-	-	-	-	-	-	-	
2000	2050	2120	-	-	2182	2168	2230	-	-	-	-	-	-	-	
2200	2250	2328	-	-	2384	2378	-	-	-	-	-	-	-	-	
2400	2460	2512	-	-	2594	-	-	-	-	-	-	-	-	-	
2600	2670	2728	-	-	2794	-	-	-	-	-	-	-	-	-	
2800	2890	2952	-	-	3014	-	-	-	-	-	-	-	-	-	
3000	3100	3166	-	-	3228	-	-	-	-	-	-	-	-	-	

“-“Flanges not available according to normative

All dimensions in mm

This product is not available in Europe.

Kammprofil Gasketes

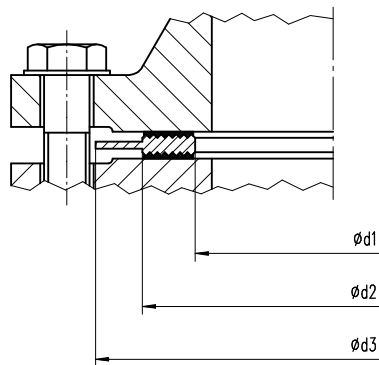
Raised-face and flat-face flanges

Ordering example for a Kammprofil gasket according to ASME B16.5:

Kammprofil Style 642 AR, NPS 8", Class 150, ASME B16.5

Carrier material: SS 316L

Material of sealing area: Flexible graphite



According to ASME B16.5

NPS	d1	d2	d3						
			Class						
			150	300	400	600	900	1500	2500
0,5	23,1	33,3	47,8	54,1			63,5		69,9
0,75	28,7	39,6	57,2	66,8			69,9		76,2
1,0	36,6	47,5	66,8	73,2			79,5		85,9
1,25	44,5	60,2	76,2	82,6			88,9		104,9
1,5	52,3	69,9	85,9	95,3			98,6		117,6
2,0	69,9	88,9	104,9	111,3			143,0		146,1
2,5	82,6	101,6	124,0	130,3			165,1		168,4
3,0	98,3	123,7	136,7	149,4			168,4	174,8	196,9
4,0	123,7	153,9	174,8	181,1	177,8	193,8	206,5	209,6	235,0
5,0	150,9	182,6	196,9	215,9	212,9	241,3	247,7	254,0	279,4
6,0	177,8	212,6	222,3	251,0	247,7	266,7	289,1	282,7	317,5
8,0	228,6	266,7	279,4	308,1	304,8	320,8	358,9	352,6	387,4
10,0	282,7	320,8	339,9	362,0	358,9	400,1	435,1	435,1	476,3
12,0	339,6	377,7	409,7	422,4	419,1	457,2	498,6	520,7	549,4
14,0	371,6	409,7	450,9	485,9	482,6	492,3	520,7	577,9	-
16,0	422,4	466,6	514,4	539,8	536,7	565,2	574,8	641,4	-
18,0	479,3	530,1	549,4	596,9	593,9	612,9	638,3	704,9	-
20,0	530,1	580,9	606,6	654,1	647,7	682,8	698,5	755,7	-
24,0	631,7	682,5	717,6	774,7	768,4	790,7	838,2	901,7	-

"-" Flanges not available according to normative

All dimensions in mm

This product is not available in Europe.

Kammprofil Gasketes

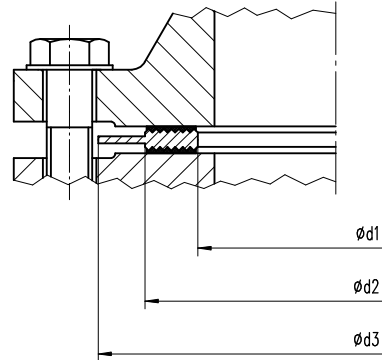
Raised-face and flat-face flanges

Ordering example for a Kammprofil gasket according to ASME B16.47:

Kammprofil Style 642 AR, NPS 32", Class 150, ASME B16.47 Series A

Carrier material: SS 316L

Material of sealing area: Flexible graphite



According to ASME B16.47 Series A

NPS	d1					d2					d3				
	Class					Class					Class				
	150	300	400	600	900	150	300	400	600	900	150	300	400	600	900
26	673,1	685,8				704,9	736,6				774,7	835,2	831,9	866,9	882,7
28	723,9	736,6				755,7	787,4				831,9	898,7	892,3	914,4	946,2
30	774,7	793,8				806,5	844,6				882,7	952,5	946,2	971,6	1009,7
32	825,5	850,9				860,6	901,7				939,8	1006,6	1003,3	1022,4	1073,2
34	876,3	901,7				911,4	952,5				990,6	1057,4	1054,1	1073,2	1136,7
36	927,1	955,8		958,9	968,5	1006,6			1009,7	1047,8	1117,6	1117,6	1130,3	1200,2	
38	977,9	977,9	971,6	990,6	1035,1	1019,3	1016	1022,4	1041,4	1085,9	1111,3	1054,1	1073,2	1104,9	1200,2
40	1028,7	1022,4	1025,7	1047,8	1098,6	1070,1	1070,1	1076,5	1098,6	1149,4	1162,1	1114,6	1127,3	1155,7	1251,0
42	1079,5	1073,2	1076,5	1104,9	1149,4	1124,0	1120,9	1127,3	1155,7	1200,2	1219,2	1165,4	1178,1	1219,2	1301,8
44	1130,3	1130,3	1130,3	1162,1	1206,5	1178,1	1181,1	1181,1	1212,9	1257,3	1276,4	1219,2	1231,9	1270,0	1368,6
46	1181,1	1178,1	1193,8	1212,9	1270,0	1228,9	1228,9	1244,6	1263,7	1320,8	1327,2	1273,3	1289,1	1327,2	1435,1
48	1231,9	1235,2	1244,6	1270,0	1320,8	1279,7	1286,6	1295,4	1320,8	1371,6	1384,3	1324,1	1346,2	1390,7	1485,9
50	1282,7	1295,4	1295,4	1320,8	-	1333,5	1346,2	1346,2	1371,6	-	1435,1	1378,0	1403,4	1447,8	-
52	1333,5	1346,2	1346,2	1371,6	-	1384,3	1397,0	1397,0	1422,4	-	1492,3	1428,8	1454,2	1498,6	-
54	1384,3	1403,4	1403,4	1428,8	-	1435,1	1454,2	1454,2	1479,6	-	1549,4	1492,3	1517,7	1555,8	-
56	1435,1	1454,2	1454,2	1479,6	-	1485,9	1505,0	1505,0	1530,4	-	1606,6	1543,1	1568,5	1612,9	-
58	1485,9	1511,3	1505,0	1536,7	-	1536,7	1562,1	1555,8	1587,5	-	1663,7	1593,9	1619,3	1663,7	-
60	1536,7	1562,1	1568,5	1593,9	-	1587,5	1612,9	1619,3	1644,7	-	1714,5	1644,7	1682,8	1733,6	-

"-" Flanges not available according to normative

All dimensions in mm

This product is not available in Europe.

Kammprofil Gasketes

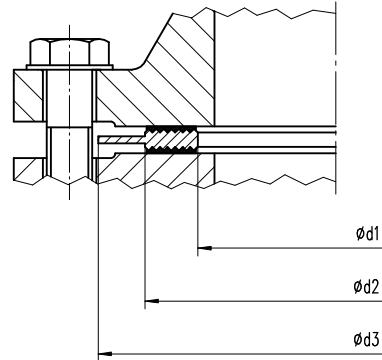
Raised-face and flat-face flanges

Ordering example for a Kammprofil gasket according to ASME B16.47 Series B

Kammprofil Style 642 AR, NPS 32", Class 150, ASME B16.47 Series B

Carrier material: SS 316L

Material of sealing area: Flexible graphite



According to ASME B16.47 Series B

NPS	d1					d2					d3				
	Class					Class					Class				
	150	300	400	600	900	150	300	400	600	900	150	300	400	600	900
26	673,1	673,1	666,8	663,7	692,2	698,5	711,2	698,5	714,5	749,3	725,4	771,7	746,3	765,3	838,2
28	723,9	723,9	714,5	704,9	743,0	749,3	762,0	749,3	755,7	800,1	776,2	825,5	800,1	819,2	901,7
30	774,7	774,7	765,3	778,0	806,5	800,1	812,8	806,5	828,8	857,3	827,0	886,0	857,3	879,6	958,9
32	825,5	825,5	812,8	831,9	863,6	850,9	863,6	860,6	882,7	914,4	881,1	939,8	911,4	933,5	1016,0
34	876,3	876,3	866,9	889,0	920,8	908,1	914,4	911,4	939,8	971,6	935,0	993,9	962,2	997,0	1073,2
36	927,1	927,1	917,7	939,8	946,2	958,9	965,2	965,2	990,6	997,0	987,6	1047,8	1022,4	1047,8	1124,0
38	974,9	1009,7	971,6	990,6	1035,1	1009,7	1047,8	1022,4	1041,4	1085,9	1044,7	1098,6	1073,2	1104,9	1200,2
40	1022,4	1060,5	1025,7	1047,8	1098,6	1063,8	1098,6	1076,5	1098,6	1149,4	1095,5	1149,4	1127,3	1155,7	1251,0
42	1079,5	1111,3	1076,5	1104,9	1149,4	1114,6	1149,4	1127,3	1155,7	1200,2	1146,3	1200,2	1178,1	1219,2	1301,8
44	1124,0	1162,1	1130,3	1162,1	1206,5	1165,4	1200,2	1181,1	1212,9	1257,3	1197,1	1251,0	1231,9	1270,0	1368,6
46	1181,1	1216,2	1193,8	1212,9	1270,0	1224,0	1254,3	1244,6	1263,7	1320,8	1255,8	1317,8	1289,1	1327,2	1435,1
48	1231,9	1263,7	1244,6	1270,0	1320,8	1270,0	1311,4	1295,4	1320,8	1371,6	1306,6	1368,6	1346,2	1390,7	1485,9
50	1282,7	1317,8	1295,4	1320,8	-	1325,6	1355,9	1346,2	1371,6	-	1357,4	1419,4	1403,4	1447,8	-
52	1333,5	1368,6	1346,2	1371,6	-	1376,4	1406,7	1397,0	1422,4	-	1408,2	1470,2	1454,2	1498,6	-
54	1384,3	1403,4	1403,4	1428,8	-	1422,4	1454,2	1454,2	1479,6	-	1463,8	1530,4	1517,7	1555,8	-
56	1444,8	1479,6	1454,2	1479,6	-	1478,0	1524,0	1505,0	1530,4	-	1514,6	1593,9	1568,5	1612,9	-
58	1500,6	1535,2	1505,0	1536,7	-	1528,8	1573,3	1555,8	1587,5	-	1579,6	1655,8	1619,3	1663,7	-
60	1557,3	1589,0	1568,5	1593,9	-	1586,0	1630,4	1619,3	1644,7	-	1630,4	1706,6	1682,8	1733,6	-

"-" Flanges not available according to normative

All dimensions in mm

This product is not available in Europe.

Gasket Dimensions

Tongue and groove flanges

Ordering example for a

Tongue and Groove gasket according to EN 1514-1 and ASME B 16.5:

1. Gasket TG, GYLON® Style 3501-E, DN 80, EN 1514-1
2. Gasket TG, GYLON® Style 3501-E, NPS 8", ASME B 16.5 , small groove

According to EN 1514-1 Form TG

DN	d1	d2
10	24	34
15	29	39
20	36	50
25	43	57
32	51	65
40	61	75
50	73	87
65	95	109
80	106	120
100	129	149
125	155	175
150	183	203
200	239	259
250	292	312
300	343	363
350	395	421
400	447	473
450	497	523
500	549	575
600	649	675
700	751	777
800	856	882
900	961	987
1000	1062	1092
1200	1262	1292
1400	1462	1492
1600	1662	1692
1800	1862	1892
2000	2062	2092

All dimensions in mm

According to ASME B 16.5

NPS	d1	small groove	large groove
		d2	d3
0,5	25	35	35
0,75	33	43	43
1,0	38	48	51
1,25	48	57	64
1,5	54	64	73
2,0	73	83	92
2,5	86	95	105
3,0	108	117	127
3,5	121	130	140
4,0	132	145	157
5,0	160	173	186
6,0	191	203	216
8,0	238	254	270
10,0	286	305	324
12,0	343	362	381
14,0	375	394	413
16,0	425	448	470
18,0	489	511	533
20,0	533	559	584
24,0	641	667	692

All dimensions in mm

Note:
Properties/applications shown throughout this brochure are typical. Your specific application should not be undertaken without independent study and evaluation for suitability. For specific application recommendations consult Garlock. Failure to select the proper sealing products could result in property damage and/or serious personal injury. Performance data published in this brochure has been developed from field testing, customer field reports and/or in-house testing. While the utmost care has been used in compiling this brochure, we assume no responsibility for errors. Specifications subject to change without notice. This edition cancels all previous issues. Subject to change without notice GARLOCK is a registered trademark for packings, seals, gaskets, and other products of Garlock.
© Garlock Inc 2018. All rights reserved worldwide.

GARLOCK GMBH

an EnPro Industries family of companies

Falkenweg 1, 41468 Neuss, Germany

Tel: +49 2131 349 0

www.garlock.com

Garlock Sealing Technologies

GPT

Garlock PTY

Garlock do Brasil

Garlock de Canada, LTD

Garlock China

Garlock Singapore

Garlock USA

Garlock India Private Limited

Garlock de Mexico, S.A. De C.V.

Garlock New Zealand

Garlock Great Britain Limited

Garlock Middle East